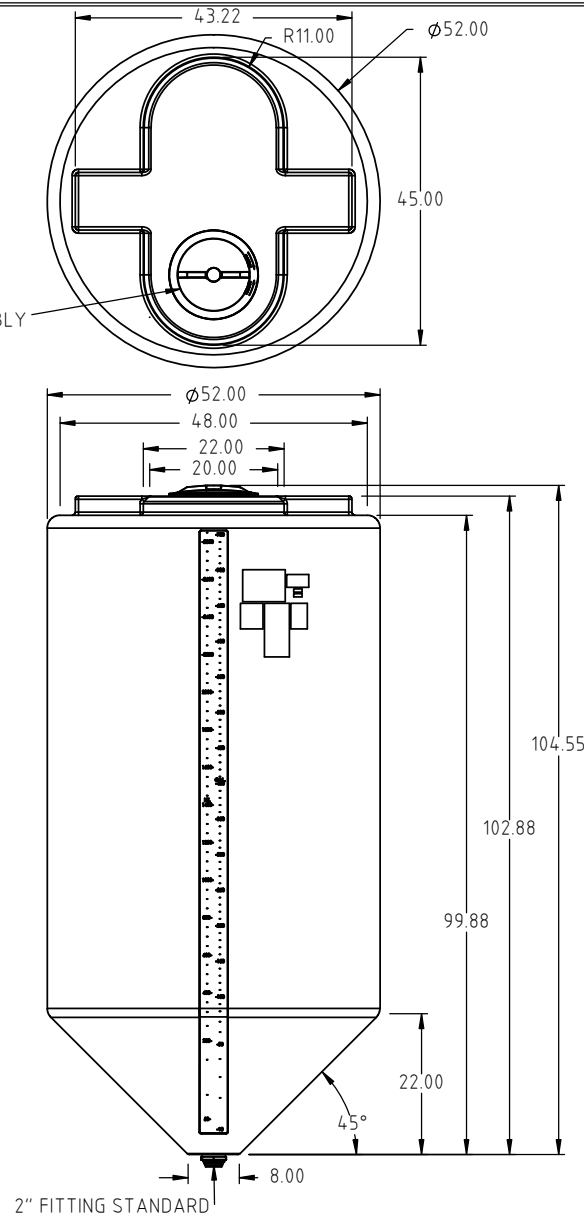


© DEN HARTOG INDUSTRIES, INC.

Copyright. All information furnished within this document, electronic file or design correspondence is the property of Den Hartog Industries, Inc. and shall not be used, disclosed to others or copied without the expressed written consent of Den Hartog Industries, Inc.

CB0750-52

12" VENTED LID ASSEMBLY



				DRAWN / DATE ADH 10/14/19	MATERIAL HDPE OR EQUIVALENT REFERENCE MATERIAL DATA SHEET FOR SPECIFIC PROPERTIES.
				APPROD. / DATE REH 11/14/19	
REV	DESCRIPTION	BY / DATE	CCN		
ALL DIMENSIONS ARE IN DECIMAL INCHES TOLERANCES UNLESS OTHERWISE SPECIFIED		THIRD ANGLE PROJECTION ANSI 14.5M		SHOT WEIGHT: 168.50 LBS	NOTES: 1.) NOM. WALL @ .0288
POLYETHYLENE		METAL DECIMAL ± .125" FRACTION ± 1/4" ANGLE ± 1°		SHIPPING WEIGHT: 170.50 LBS	
±1% @ 68°F				FINISH: NA	



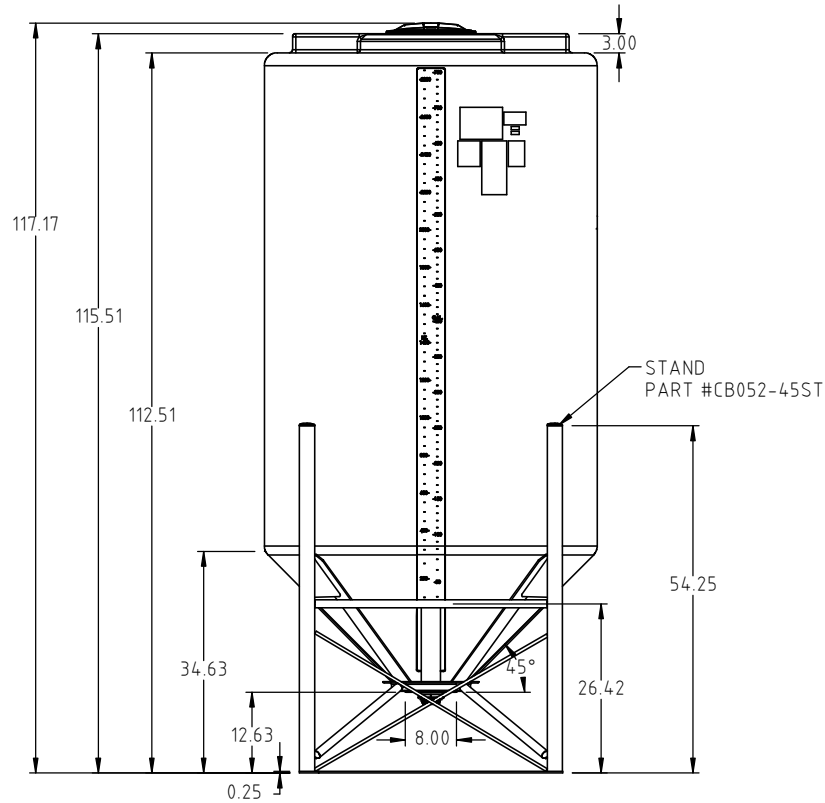
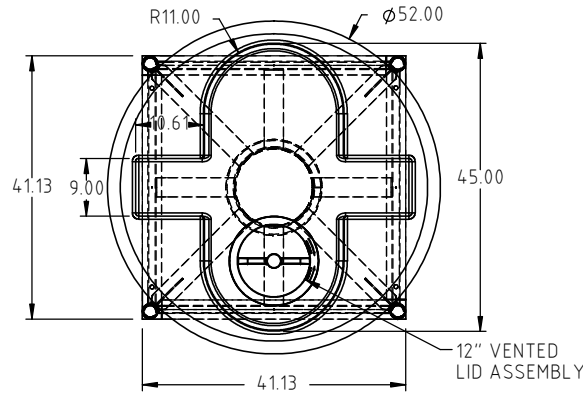
**Den Hartog**  
INDUSTRIES, INC.

Ace Roto-Mold Injection Molding Blow Molding Sowjoy


4010 HOSPERS DRIVE S. BOX 425, HOSPERS, IOWA 51238-0425

DESCRIPTION 750 GALLON CONE BOTTOM TANK, Ø52"	
SCALE N.S.	PART NO. CB0750-52

Copyright. All information furnished within this document, electronic file or design correspondence is the property of Den Hartog industries, Inc. and shall not be used, disclosed to others or copied without the expressed written consent of Den Hartog Industries, Inc.



				DRAWN / DATE ADH 10/14/19	MATERIAL TANK: HDPE OR EQUIVALENT
				APPROD. / DATE REH 11/14/19	STAND: MILD STEEL
REV	DESCRIPTION	BY / DATE	CCN	SHOT WEIGHT:	NOTES:
				SHIPPING WEIGHT: SEE NOTES	1. TANK WEIGHT 170.50 LBS
				FINISH:	2. STAND WEIGHT 174 LBS.



# Den Hartog

INDUSTRIES, INC.

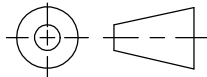
*Acra Roto-Mold Injection Molding Blow Molding Sowjoy*

4010 HOSPERS DRIVE S. BOX 425, HOSPERS, IOWA 51238-0425

DESCRIPTION 750 GALLON CONE BOTTOM TANK AND STAND	
SCALE N.S.	PART NO. CB0750-52/52-45ST

ALL DIMENSIONS ARE IN DECIMAL INCHES  
TOLERANCES UNLESS OTHERWISE SPECIFIED

THIRD ANGLE PROJECTION  
ANSI 14.5M



POLYETHYLENE

METAL  
DECIMAL ± .125"  
FRACTION ± 1/4"  
ANGLE ± 1°

±1% @ 68°F